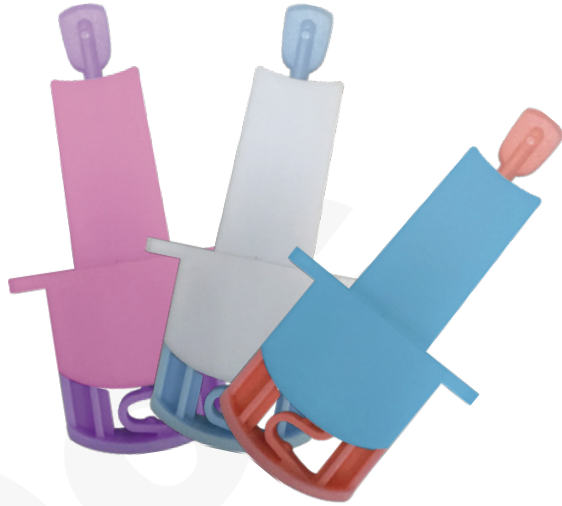


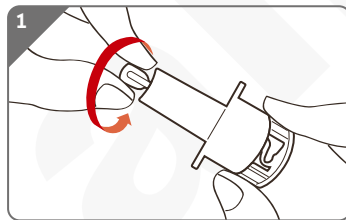
TD-5083

AKTIVSAFE LANCET

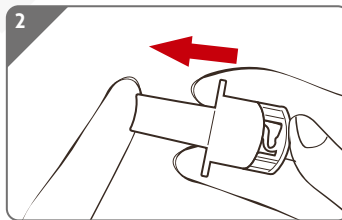


FEATURES

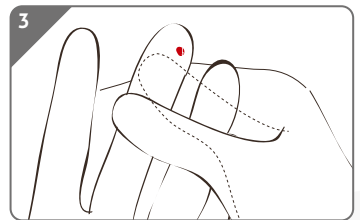
- Easy to use
- Three different size
- Single-use only
- Lancet automatic retraction



1 Twist off the protective cap and remove the cap






2 Press the safety lancet body firmly against the puncture site to activate the safety lancet



3 Dispose the used safety lancet and collect blood sample

Gauge

	26G	28G	30G
Lancet color	 Pink	 White	 blue
Penetration Depth	1.8±0.2mm	1.5±0.2mm	1.5±0.2mm
Packaging	10 pcs/bottle 60 boxes	10 pcs/bottle 60 boxes	10 pcs/bottle 60 boxes



www.taidoc.com

TaiDoc Technology Corp.

B1-7F., No.127, Wugong 2nd Rd., Wugu Dist.,
New Taipei City 24888, Taiwan
Tel: +886-2-6625-8188 Fax: +886-2-6625-0288