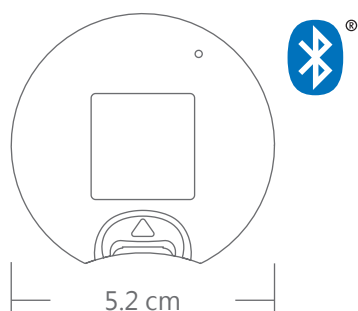


TD-4266

Blood Glucose Monitoring System



SPECIFICATIONS

Enzyme Type	GDH-FAD
Sample Size	0.5 μ L
Reaction Time	5 seconds
Measurement Range	20~600 mg/dL (1.1~33.3 mmol/L)
Hematocrit Range	35%~60%
Precision	SD < 5 mg/dL (0.278 mmol/L) at < 100 mg/dL (5.55 mmol/L); CV < 5% at 100 mg/dL (5.55 mmol/L)
Accuracy	\pm 15 mg/dL if < 100 mg/dl ; \pm 15% if \geq 100 mg/dL
Package	Vial pack / Single foil pack
Communication	Bluetooth
Power Source	CR2032 x 1
Memory Capacity	450 sets
Dimension	52 (L) x 49.5 (W) x 18 (H) mm
Weight	20.6 g (Without Battery)
Operating Condition	10°C to 40°C (50°F to 104°F) and 10% to 85% R.H.
Storage Condition	-20°C to 60°C (-4°F to 140°F) (Meter); 2°C to 30°C (35.6°F to 86°F) (Strip)

SHIPPING INFO

Units per Carton	48
Gross Weight per Carton	10 kg
Carton Size	467 (L) x 294 (W) x 415 (H) mm